



Gas Control Equipment



## HIGH-PERFORMANCE CYLINDER REGULATOR

# FV300

**VICTOR FV300** is the reliable partner of each user in the welding workshop. It will never make the operator disappointed leaving him without a proper gas supply. By its performance, it covers the majority of all industrial gas applications with gas cylinder use. It protects the surrounding area by keeping it insulated from the high gas pressure and supplying only the wished amount of the gas at pressure adjusted by a user.

Variants with side entry and pressure gauges fulfill all the requested tasks.

Cylinder regulator FV300 is made in Europe.

It has been created to help make the production process safe and efficient.



# FV300

## PRODUCT FEATURES

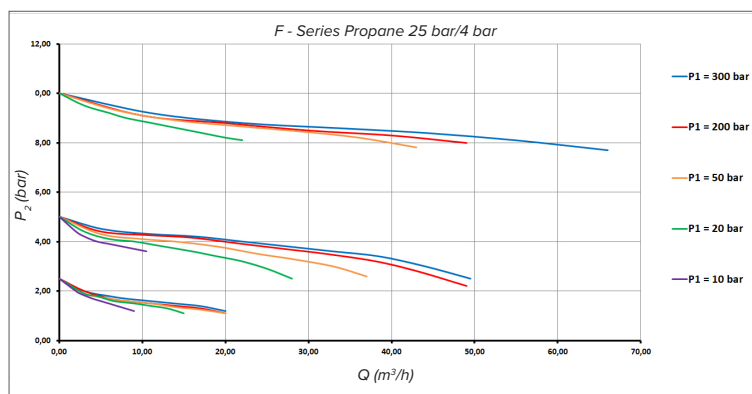
- High-performance regulator following all common technical gas applications needs.
- Safety focused design following **ISO 2503**.
- **Prolonged lifetime** saving costs related to services, spares and replacements.
- Encapsulated regulating technology for precise and stable control.
- Easy handling for the operator by ergonomic arrangement.
- Side entry design variants fit on all types of cylinder valves.
- Three scale pressure gauges acc. to ISO 5171 with high contrast pointer for better gas pressure clarity.
- Made in Europe.

## TECHNICAL DATA

Gas	O <sub>2</sub> , N <sub>2</sub> , H <sub>2</sub> , He	Ar, Ar/CO <sub>2</sub>	CO <sub>2</sub>	Acetylene	Propane
Body	Brass forged				
Bonnet	Zn/Al alloy Die Cast				
Stems, nuts and fittings	Brass				
Diaphragm	EPDM			NBR	
Seat sealing	PA			CR	
Inlet/ Outlet connection	Gas specific connection				
Maximal inlet pressure	200 or 300 bar		200 bar	25 bar	
Outlet pressure/ flow range	0-10 bar	0-24l/min		1,5 bar	4 bar
Temperature range	From -20°C to 60°C				
Weight	Approx. according to gas variant: 1,9 kg				

## FLOW CHARTS

### Compressed gases 300/10 bar (measured by air)



#### Conversion coefficient

Test gas	Air	Oxygen	Nitrogen	Argon	Hydrogen	Helium	CO <sub>2</sub>
Air	1	0,950	1,02	0,851	3,81	2,695	0,808

Flow of the gas (A)

$$A = Q \cdot f$$

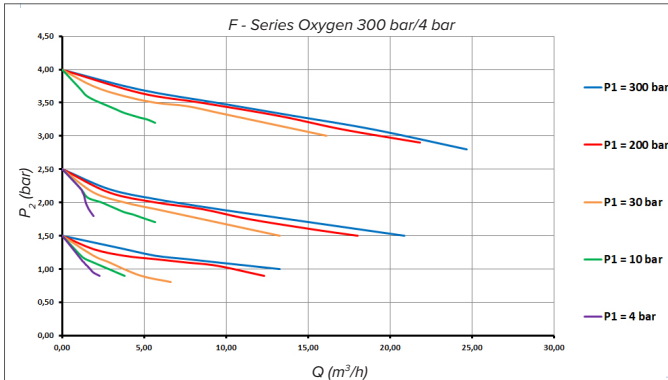
Q... Air Flow

f... Conversion coefficient

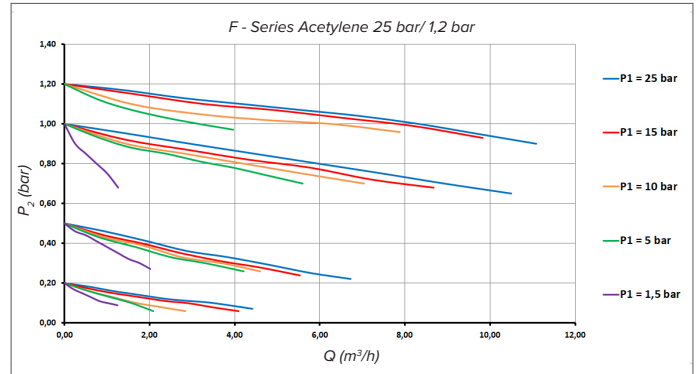
# FV300

## FLOW CHARTS

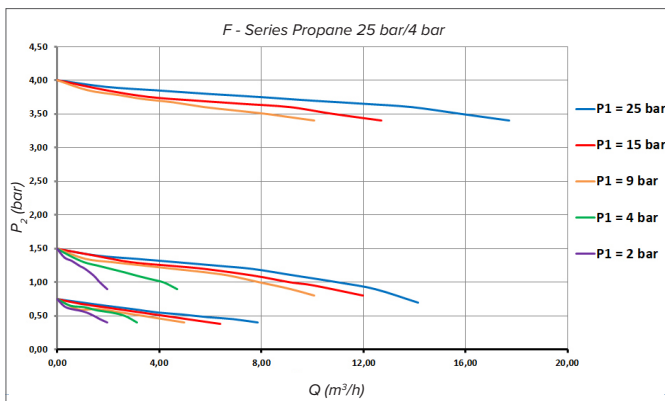
### Oxygen 300/4 bar



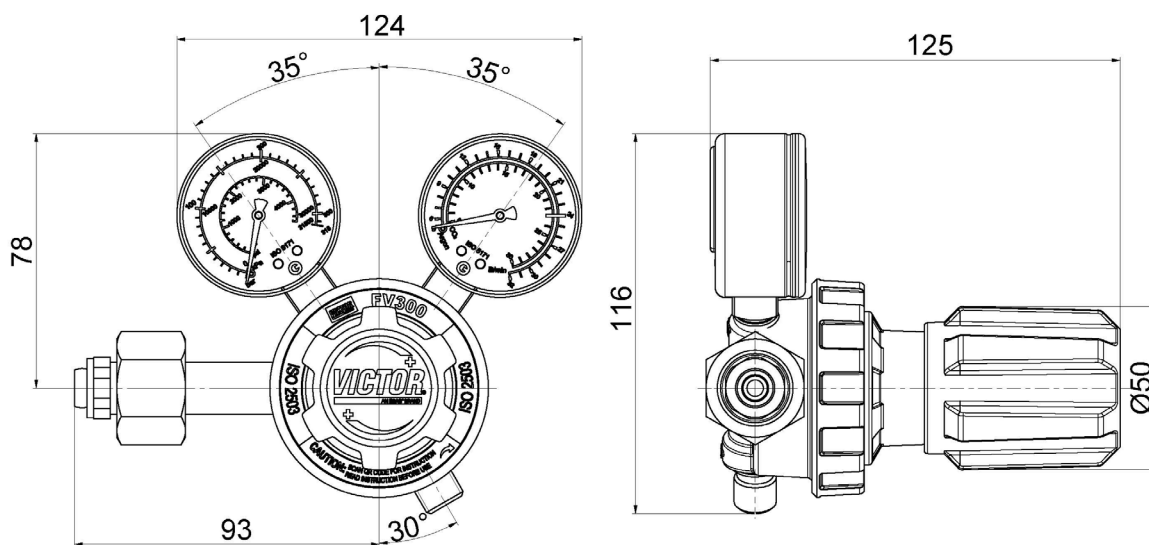
### Acetylene 25/1,2 bar



### Propane 25/4 bar



## DIMENSIONS



# FV300

## PRODUCT ADVANTAGES

### Triple scale gauges

According to ISO 5171, with high contrast pointer for better gas pressure clarity

### Encapsulated regulating valve technology.

Encapsulated regulating technology for precise parameters and stability, tested for many years

### Inlet connection

Side and bottom entry variants available, variants fit on all types of cylinder valves

### Colour coded handwheel

Simple identification of the gas, ergonomic and robust design, easy handling for the operator

## ORDERING INFORMATION

Part number	Gas	Inlet position	Inlet pressure	Outlet pressure	Inlet connection	Outlet connection	Type
FS07850390	OXYGEN	200 bar	10 bar	side	SI 22,91 x 1,814	G 1/4"	2 gauges
FS07850394	OXYGEN	300 bar	10 bar	side	W 30 x 2	G 1/4"	2 gauges
FS07850392	ACETYLENE	25 bar	1,5 bar	side	W 22,91 x 1,814 LH	G 3/8" LH	2 gauges
FS07850388	AR/CO <sub>2</sub>	200 bar	24 l/min	side	W 21,8 x 1/14"	G 1/4"	2 gauges
FS07850396	AR/CO <sub>2</sub>	300 bar	24 l/min	side	W 30 x 2	G 1/4"	2 gauges
FS07850386	PROPANE	25 bar	4 bar	side	W 21,8 x 1/14" LH	G 3/8" LH	2 gauges
FS07852175	PROPANE	25 bar	4 bar	side	W 21,8 x 1/14" LH	G 3/8" LH	LP gauge only