

Aristo® RT TIG

Robotic TIG Torch



The Aristo® RT TIG is the ideal robotic TIG welding solution suitable for 2.4 mm to 4.8 mm electrodes.

Robot: ABB, KUKA, Motoman or Fanuc

Power source: Aristo® Mig U5000i/5000iw

Interface: Aristo® U8₂ / W8₂

Torch: Aristo® RT Robotic Torch TIG

- Reliable cooling of the tungsten electrode and efficient current transfer due to the electrode clamping system
- Optimized gas shielding
- Reproducible positioning of the tungsten electrode with the optional adjustment tool
- Torch can be installed in two different positions for easy adaptation to the welding task
- Torch suitable for cold wire feeding but needs cold wire feeder

Visit esab.com for more information.

Industry

- Automotive
- Transport
- General Industry
- Light Fabrication
- Shipbuilding

Specifications

| | |
|------------------------------------|--------------|
| Rating / Duty cycle – water cooled | |
| AC | 400A at 100% |
| DC | 500A at 100% |
| Electrode Diameter | 2.4 – 4.8mm |
| Cold wire guide | 0.8 – 1.2mm |

Ordering Information

| Description | Part Number |
|---|-------------|
| RT TIG Torch (includes 08.-1.2 guide nozzles) | 0459990133 |

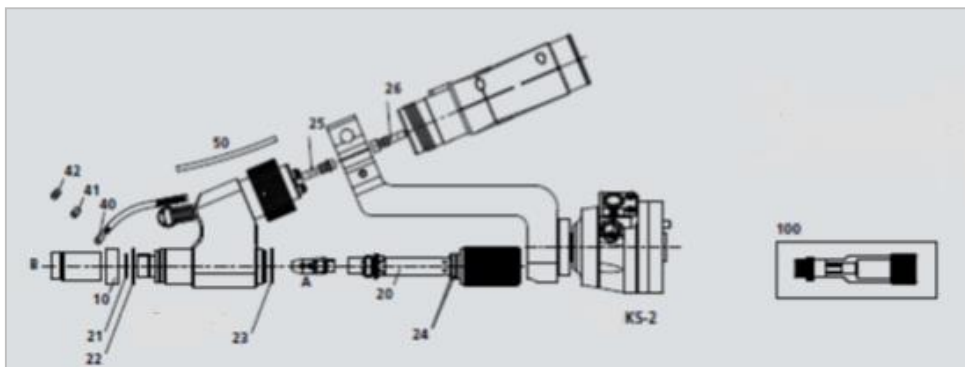
Order required electrode clamp & gas nozzle separately.

Options & Accessories

| Description | Part Number |
|----------------------------------|-------------|
| Torch mount RT TIG, 23° | 0459990134 |
| KS-2-TIG safety off mechanism | 0459990135 |
| Cable ass. RT TIG 5m Dinse | 0459990108 |
| PA-liner (5.40 m)0.8-1.2mm | 0459990118 |
| Cable assy RT TIG 1.5m Euro | 0459990107 |
| PA-liner (2.00 m) 0.8-1.2 mm | 0459990117 |
| PA-liner RT TIG 0.8-1.2 mm | 0459990116 |
| Electrode clamp 2.4 mm (3/32") | 0459990121 |
| Electrode clamp 3.2 mm (1/8") | 0459990122 |
| Electrode clamp 4.0 mm (5/32") | 0459990123 |
| Electrode clamp 4.8 mm (3/16") | 0459990124 |
| Gas nozzle 9.5mm (3/8") L=42mm | 0459990125 |
| Gas nozzle 11mm (7/16") L=42mm | 0459990126 |
| Gas Nozzle 12.5mm (1/2") L=42mm | 0459990127 |
| Gas Nozzle 17.5mm (7/16") L=42mm | 0459990128 |

Wear & Spare Parts

| Description | Position | Part Number |
|--|----------|-------------|
| Insulator ceramic | 10 | 0459990109 |
| Electrode holder RT TIG | 20 | 0459990110 |
| Wire guide nipple torch side | 24 | 0459990111 |
| Wire guide nipple cable side | 25 | 0459990112 |
| Guide nozzle 0.8mm (1 groove) | 40 | 0459990113 |
| Guide nozzle 1.0mm (2 grooves) | 41 | 0459990114 |
| Guide nozzle 1.2mm(3 grooves) | 42 | 0459990115 |
| PA-liner RT TIG 0.8-1.2 mm | 50 | 0459990116 |
| PA-liner (2.00 m) 0.8-1.2 mm | | 0459990117 |
| PA-liner (5.40 m)0.8-1.2mm | | 0459990118 |
| Adjustment tool for electrode | 100 | 0459990119 |
| Maintenance Kit (includes O-rings 21-24 & hex key for the clamp) | | 0459990120 |



XA00184120 / 2017-01-17 / ESAB reserves the right to alter specifications without prior notice



ESAB / esab.com

